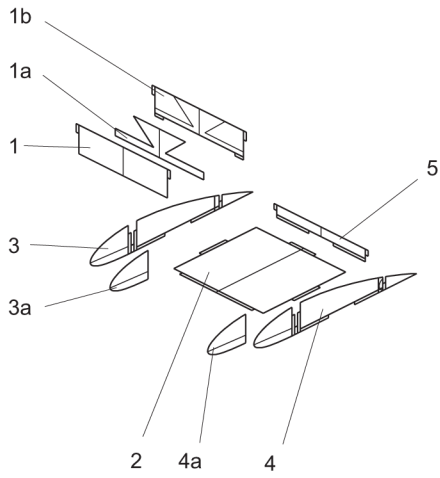
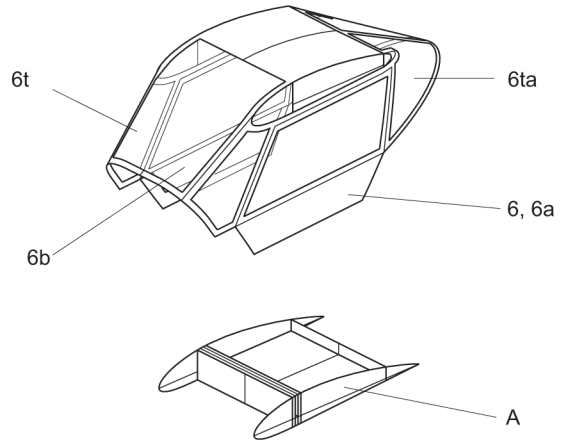


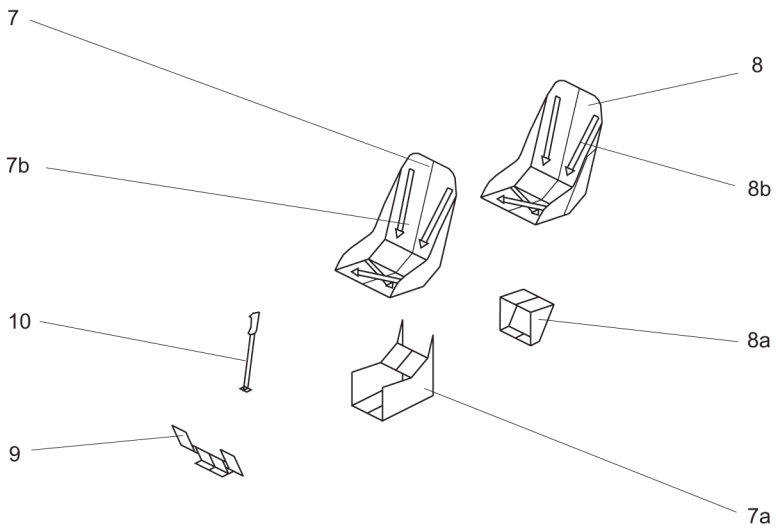
A



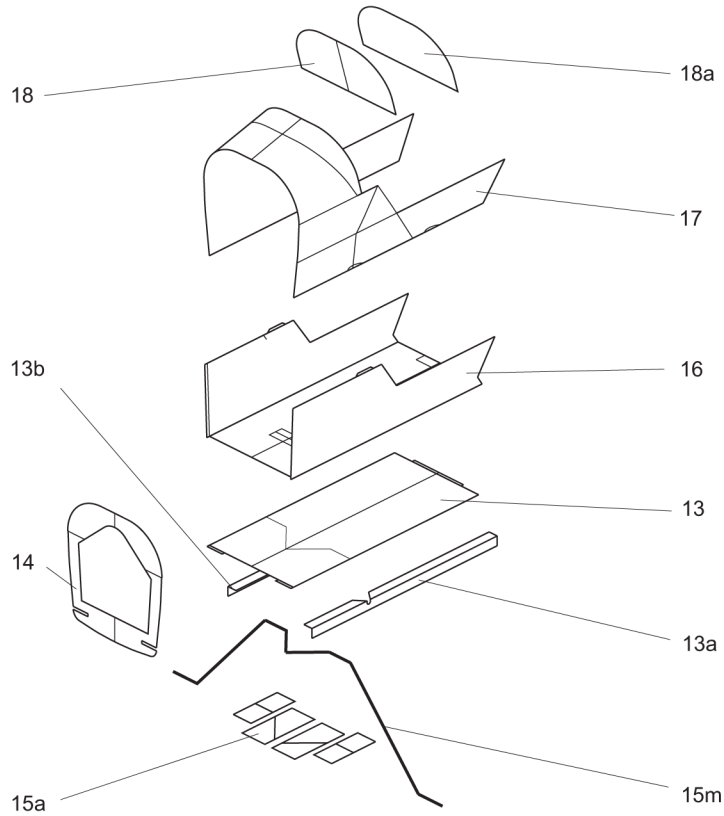
B



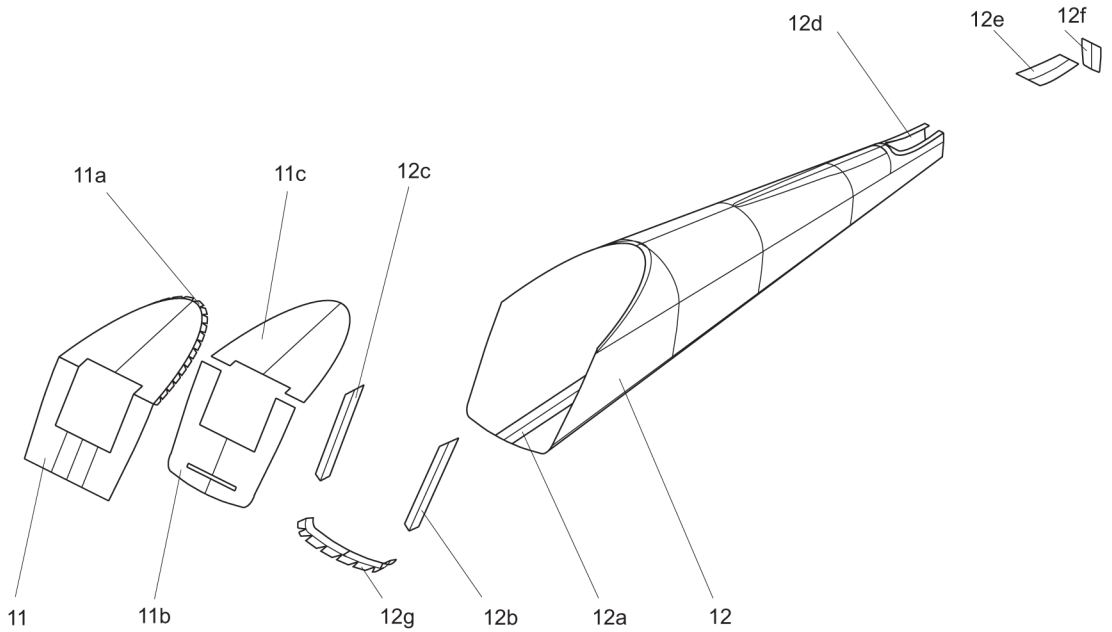
C

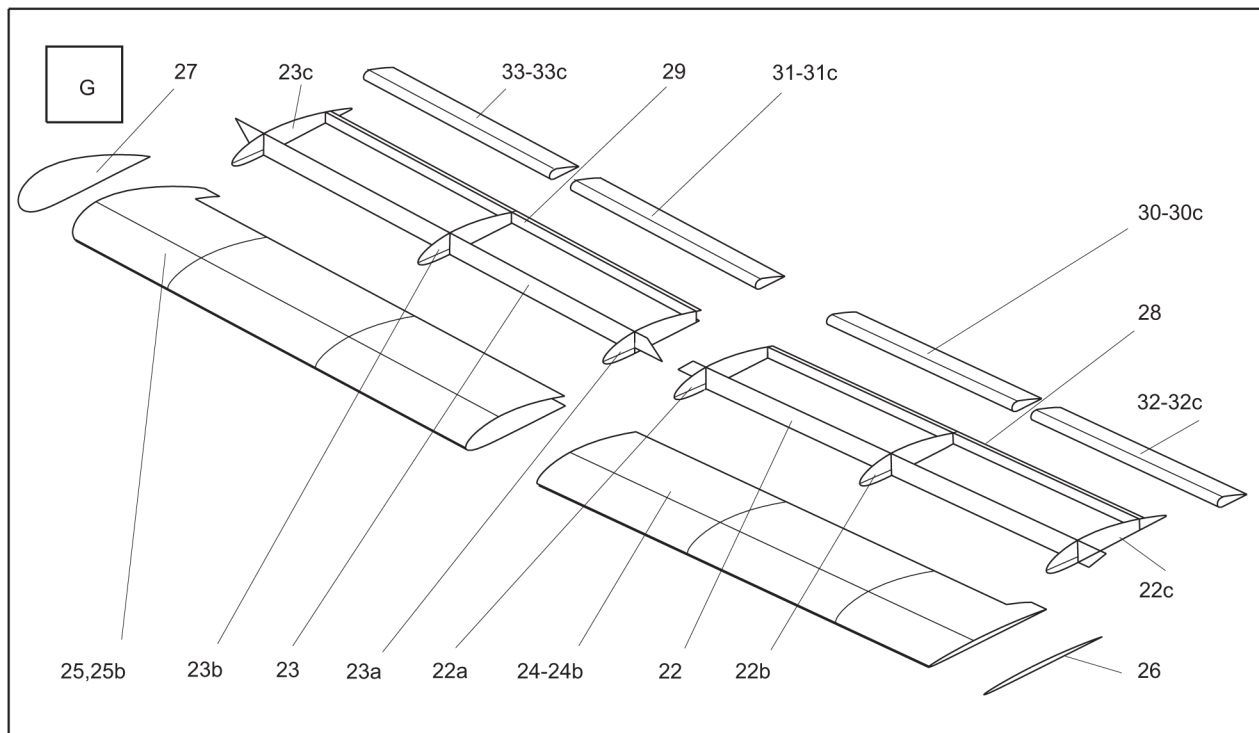
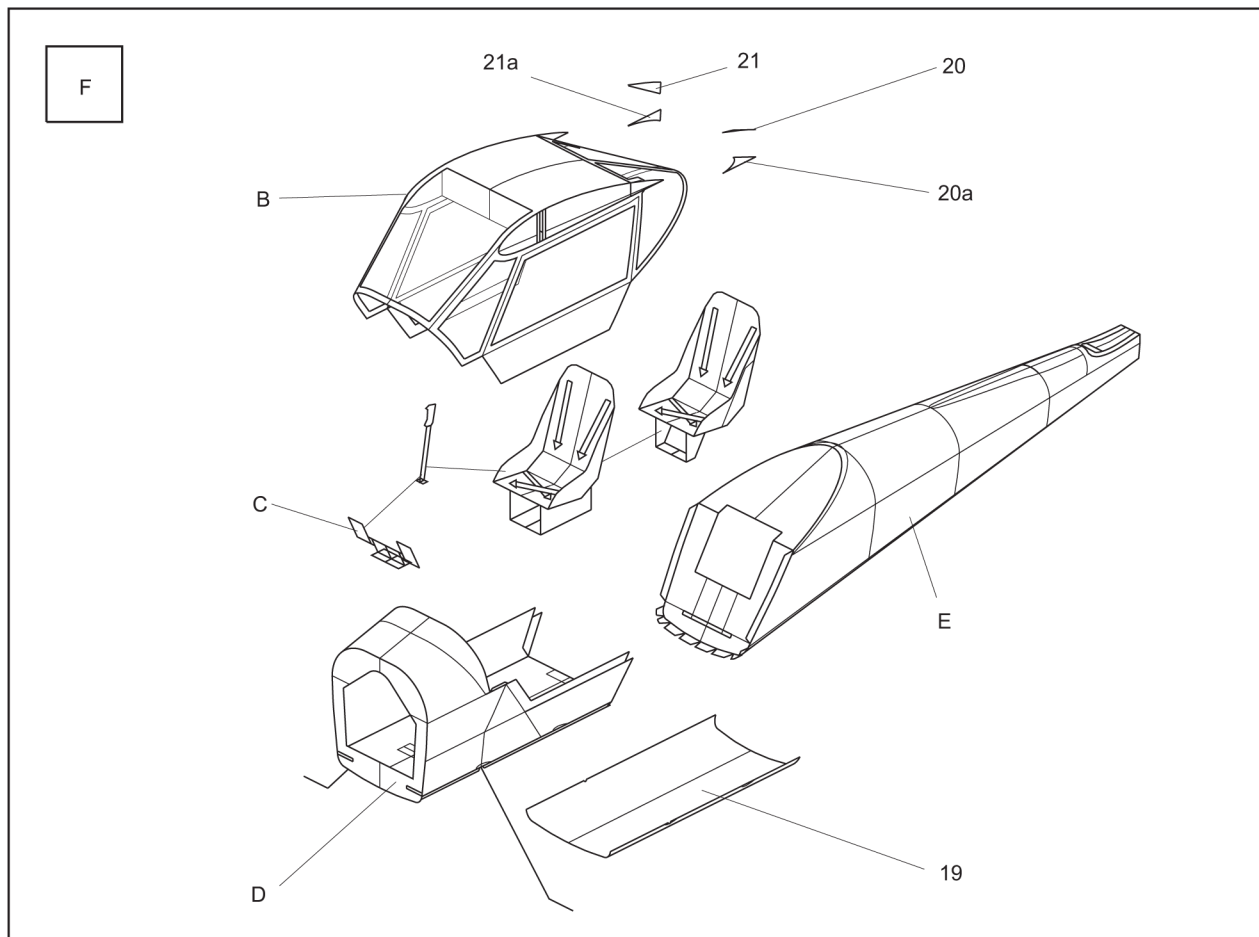


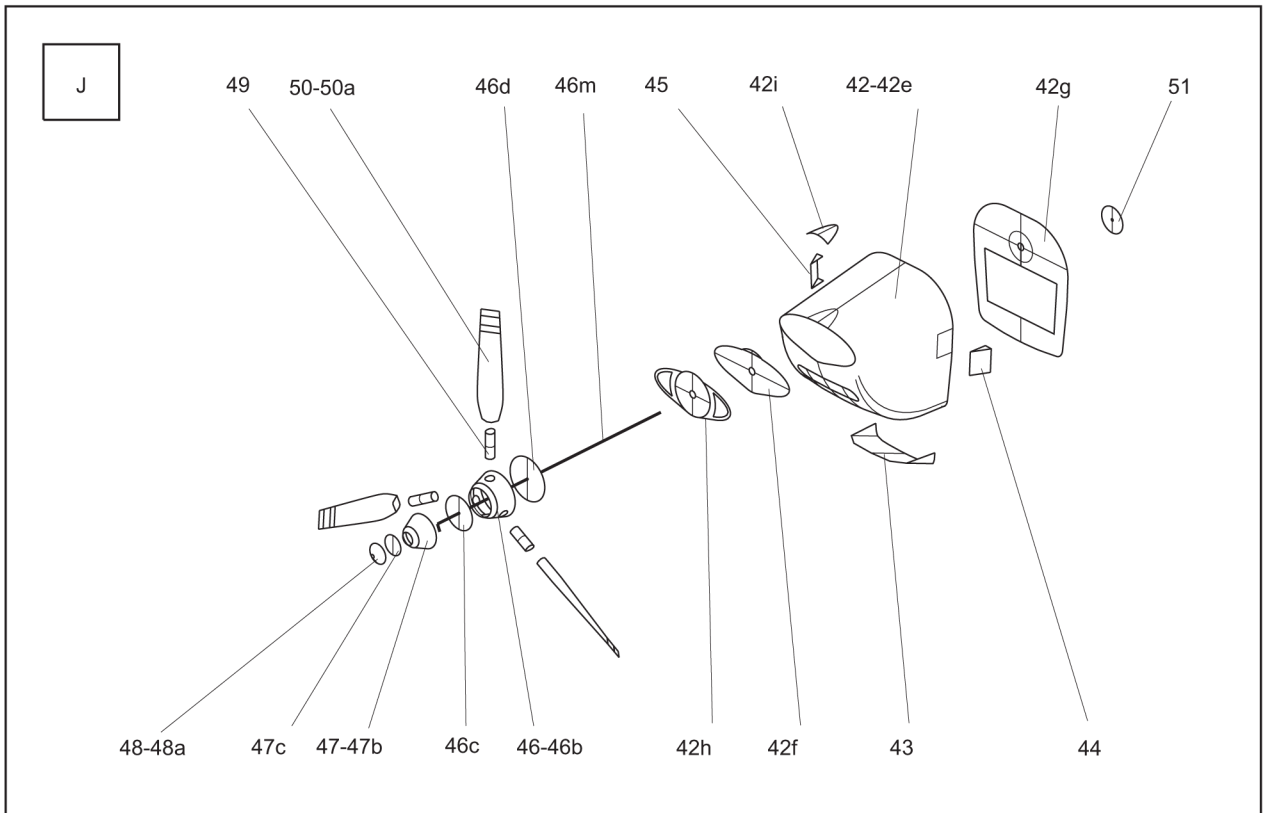
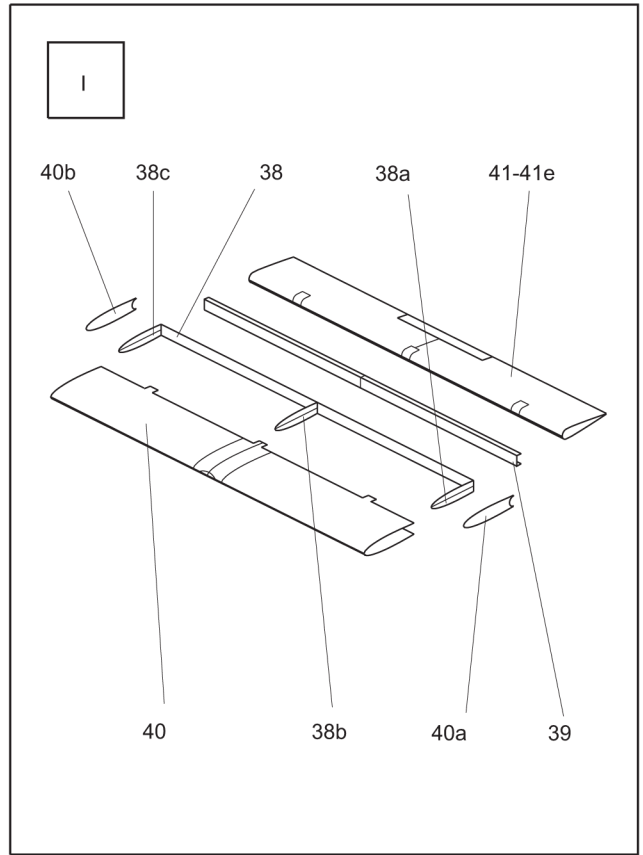
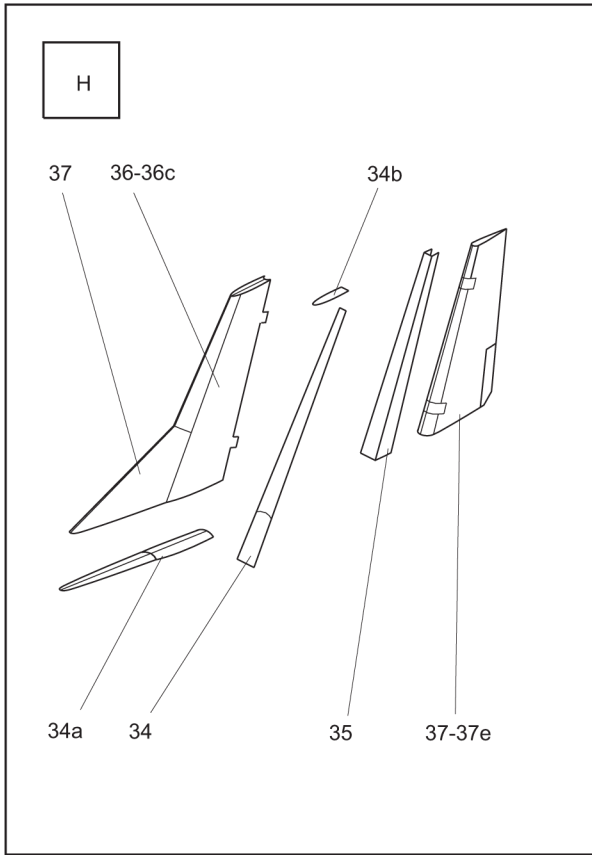
D

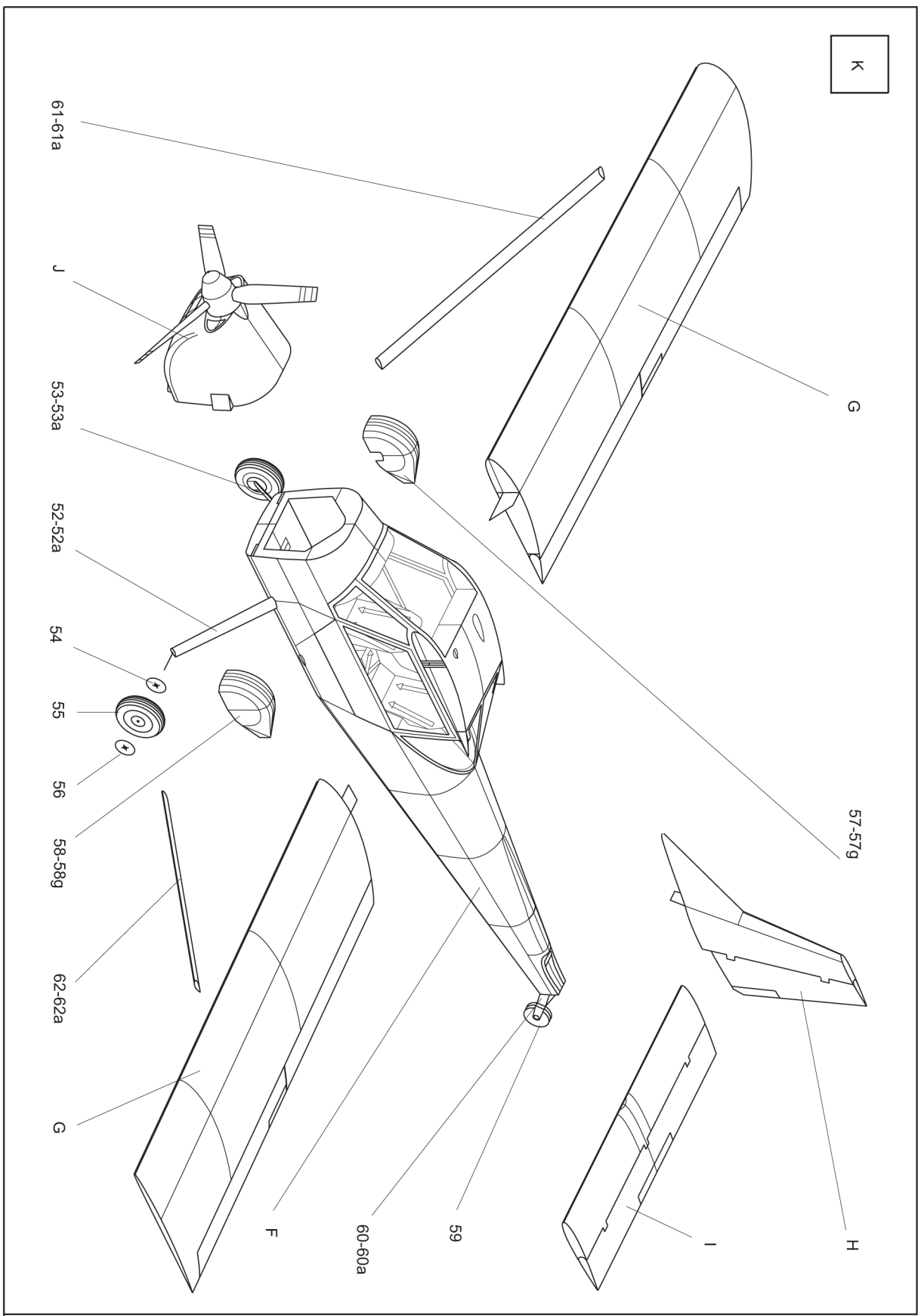


E









K

G

57-57g

H

I

59

60-60a

F

G

62-62a

58-58g

56

55

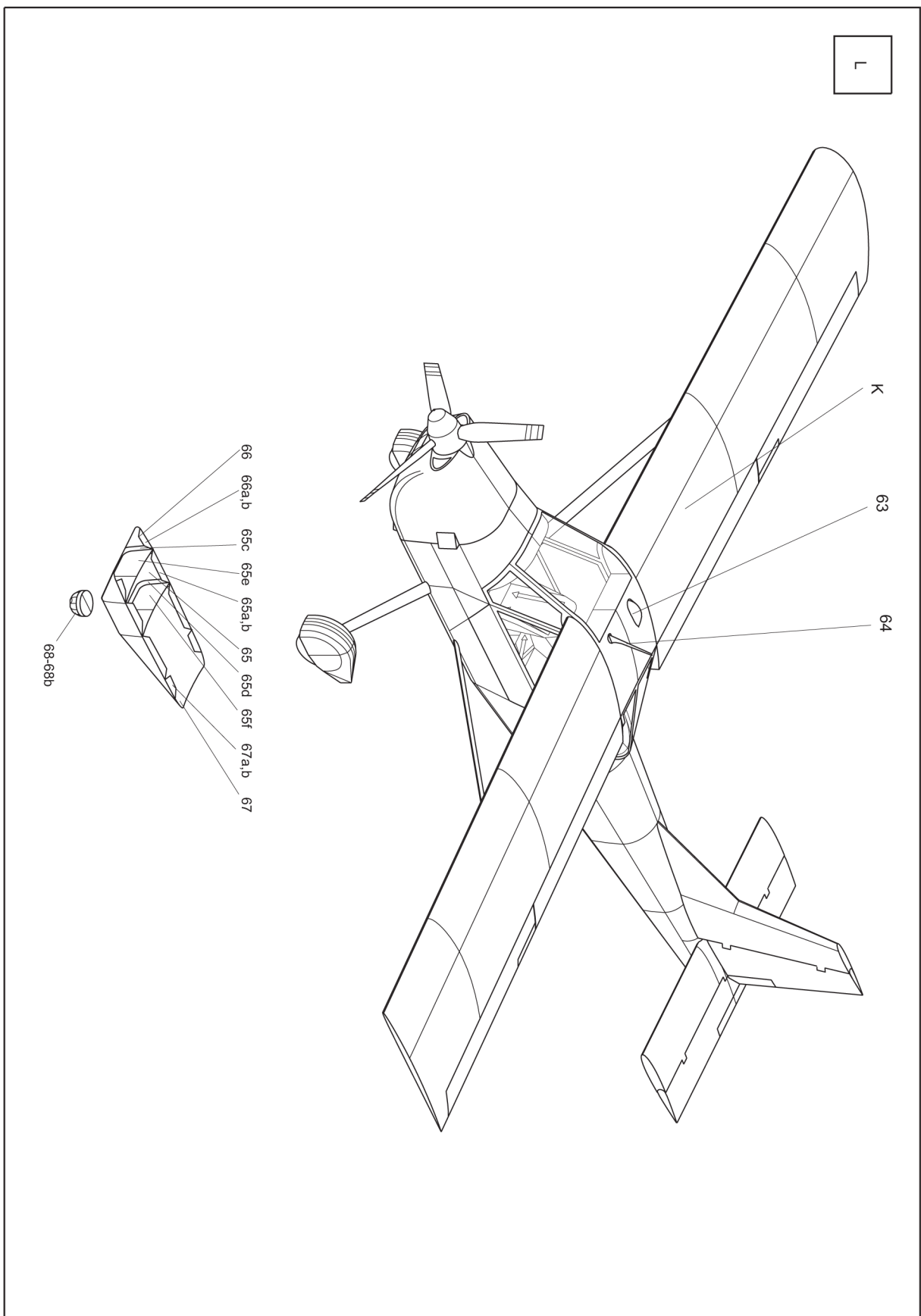
54

52-52a

53-53a

J

61-61a



DAR-21 VECTOR II DIGITAL VIEWS

© 2008 Tony Iliev, Airplanes DAR Ltd.

